

LIGHTHOUSE®

USER MANUAL L/H T40FR LED INSPECTION WAND

BEFORE USING FOR THE FIRST TIME

Please ensure you read and understand these instructions clearly before using this product for the first time. Failure to do so could result in personal injury or damage to the product. It is important you retain this user manual for future reference.

SAFETY PRECAUTIONS

- ▶ Do not use the torch in the immediate vicinity of inflammable materials or gases.
- ▶ Make sure that the torch lens is not covered during use.
- ▶ Only use the accessories included with this product when charging the torch.
- ▶ Keep the torch out of reach of children and pets.
- ▶ Do not point the torch directly in your own, any other person's or animals eyes.
- ▶ Always check the mains cable before using the charger. If the cable or any part of the charger is damaged, replace with a like for like spare.

TECHNICAL DATA

BATTERY TYPE	3.7V Lithium-ion 800mAh Rechargeable
LED TYPE	SMD LED: 3W (Main), 1.5W (Rear), 1W (Spot)
BRIGHTNESS	400 Lm (Main), 200Lm (Rear), 120 Lm (Spot)
AMBIENT TEMP	-10°C to +45°C
USAGE TIME	3 Hours (Main), 6 Hours (Rear), 6 Hours (Spot)
MODES	100, 50, 25% & Combination (Front, Rear, Spot)
CHARGE TIME	Approx. 2 Hours
PROTECTION CLASS	III
CHARGING INPUT	5V 1000mA
SUPPLIED WITH	1M USB-C Charging Lead

RECHARGING

- ▶ Ensure the battery is fully charged before using the torch for the first time.
- ▶ It is important for the torch to be charged every three months to maintain the optimum condition of the battery.
- ▶ The battery charge status can be determined by reading the battery charge indicator. If all 4 LEDs are lit, the torch is fully charged.

CLEANING

Use a soft cloth or cotton swab with water or medical alcohol to clean the lens. Care should be taken during cleaning. Allow the torch to completely dry before using. Do not use any harsh chemicals or abrasive materials when cleaning, as this may damage the torch.

DISPOSAL OF THIS PRODUCT

If at some point you intend to dispose of this product, please keep in mind that many of its components consist of valuable materials which can be recycled. Please do not dispose of this product in the household waste bin, check instead with your local council for recycling facilities in your area.

Do not dispose of used batteries in the household waste, or expose to fire. Lighthouse hold no responsibility for personal injury or damage caused by incorrectly disposing of batteries.

The plastic in this product may contain chemicals known by the state of California to cause cancer and birth defects or other reproductive harm.

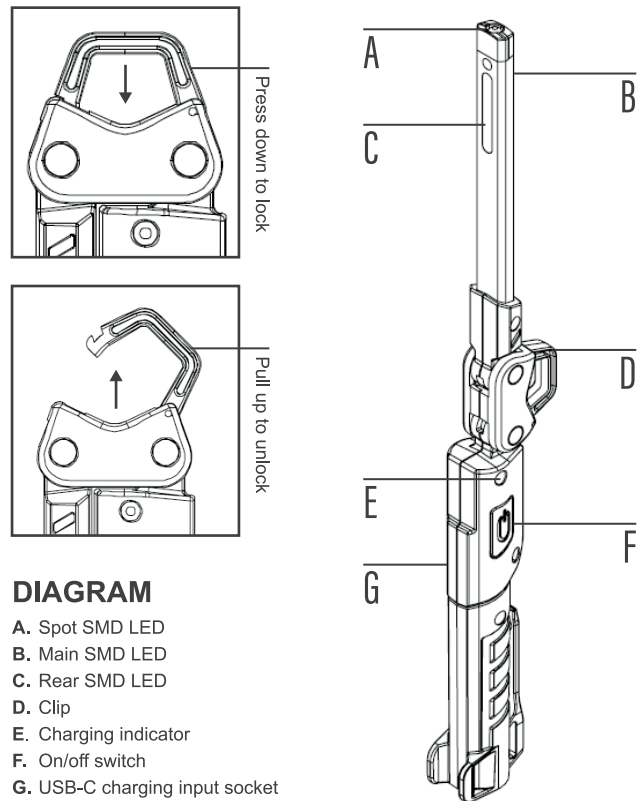
OPERATING FUNCTIONS

This torch cycles through five operating functions by continuously pressing the **on/off** button.

- ▶ 1st press: Spot LED ON
- ▶ 2nd press: Main LED 100% output
- ▶ 3rd press: Rear LED 100% output
- ▶ 4th press: Main LED, rear LED & spot LED ON
- ▶ 5th press: OFF

NOTE:

If left in any mode for over 5 seconds, the next press will turn the torch off.



DIAGRAM

- A. Spot SMD LED
- B. Main SMD LED
- C. Rear SMD LED
- D. Clip
- E. Charging indicator
- F. On/off switch
- G. USB-C charging input socket

GUARANTEE

Rechargeable battery life depends on many factors and the cells can become easily damaged, dependent on environmental and storage conditions. Your product is guaranteed from defect for a period of **1 year**, this excludes the battery which is covered for 90 days from the date of purchase, if you notice the running or charge times decreasing this is normal over the lifetime of the battery and is classed as fair wear and tear.

There will be some items within our range which will be non-serviceable but, in most cases we can supply replacement batteries for our products.

LIGHTHOUSE TORCHES
3 White Lodge Business Estate, Hall Road, Norwich, Norfolk, NR4 6DG, United Kingdom.

TUCKS O'BRIEN LTD
24 Magna Drive, Magna Business Park, Citywest Road, Dublin 24, D24 FNYO, Ireland.

www.lighthouse-torches.com

